

GORTHC ARCH GROOVE TRACK ROLLER

LFR... ZZ / 2RS

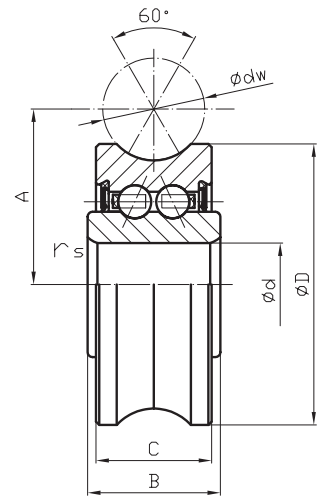
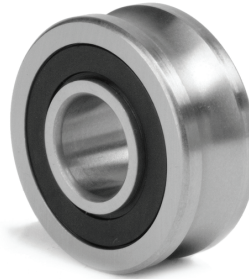


◆ Material of rings and balls:

High quality bearing steel -AISI 52100
Martensitic Stainless Steel - AISI 440 C

◆ Shields and Seals (suffix):

ZZ - double metal shields
2RS - double NBR seals



Designation	Dimensions(mm)							Load Ratings(N)		Limiting Speed(r/min)		Weight ≈(Kg)
	dw	d	D	C	B	A	rs	Cr	Cor	ZZ	2RS	
LFR 50/4-4	4	4	13	6	7	7.55	0.2	1050	850	26000	15000	0.004
LFR 50/5-4	4	5	16	7	8	9	0.2	1260	850	26000	15000	0.007
LFR 50/5-6	6	5	17	7	8	10.5	0.2	1270	900	26000	15000	0.008
LFR 50/6-6	6	6	19	8.5	9	11.5	0.3	3050	1400	26000	15000	0.008
LFR 50/8-6	6	8	24	11	11	14	0.3	3600	2280	20000	11000	0.020
LFR 50/8-8	8	8	24	11	11	14.75	0.3	3600	2280	20000	11000	0.020
LFR 5201-10	10	12	35	15.9	15.9	20.65	0.3	8300	5000	15000	7200	0.008
LFR 5201-12	12	12	35	15.9	15.9	21.75	0.3	8300	5000	15000	7200	0.008
LFR 5201-14	14	12	39.9	18	20	24	0.3	8500	5200	15000	7200	0.107
LFR 5202-12	12	15	45	15.9	15.9	26.5	0.6	11700	7000	13000	6000	0.12
LFR 5204-16	16	20	52	20.6	22.6	31.5	0.6	15300	10100	10000	4500	0.230
LFR 5206-20	20	25	72	23.8	25.8	41	0.6	23100	16400	7500	3500	0.430
LFR 5206-25	25	25	72	23.8	25.8	43.5	0.6	22700	16100	7500	3500	0.425
LFR 5207-30	30	30	80	27	29	51	1.0	28500	20800	6500	3000	0.66
LFR 5208-40	40	40	98	36	38	62.5	1.0	38500	29000	6000	2500	1.36
LFR 5301-10	10	12	42	19	19	24	0.6	13200	7700	14000	6500	0.13
LFR 5301-20	20	12	42	19	19	28	0.6	13200	7700	14000	6500	0.125
LFR 5302-10	10	15	47	19	19	20.65	1.0	14500	9100	12000	5500	0.169
LFR 5308-50	50	40	110	44	46	72.5	1.1	54000	40500	5500	2300	1.40

* outer diameter ≥ 52 mm with lubrication hole on inner ring